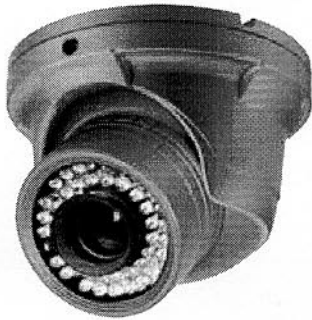


3D-DNR Dome Day/Night Weather-proof IR Camera

DC Auto Iris Varifocal Lens(2.8mm-12mm)



- IR 6742VZ
- 550TV Lines
- DC Auto Iris Varifocal Lens(2.8mm-12mm)
- Day/Night Capability
- 850nm IR LEDs * 42pcs



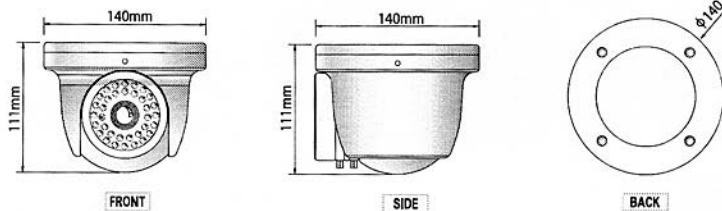
SPECIFICATIONS

MODEL	IR 6742VZ
Sensor	1/3" SONY Super HAD CCD
Total Pixels	NTSC=811(H) * 508(V) / PAL=795(H) * 595(V)
Effective Pixels	NTSC=768(H) * 494(V) / PAL=752(H) * 582(V)
Scanning System	2:1 Interlace
Synchronization	Internal
Backlight	Off
Resolution	550TV Lines
S/N (Y signal)	52dB (AGC Off, Weight On)
Min. Illumination	0.000006Lux(IR LED ON)
White Balance	Auto (2000~10,500°K)
Electronic Shutter Speed	AUTO (1/50sec, 1/60sec ~ 1/120,000sec)
Sense-Up	Auto (*32)
3 DNR	On
Blemish Compensation	256 Point (Even 128 Point, ODD 128 Point)
Power	Dual DC 12V / AC 24V
Power Consumption	CDS ON : 450mA Max
Operating Temperature/Humidity	-10 ~ +50 Deg C. RH 95% Max.
Storage Temperature/Humidity	-20 ~ +60 Deg C. RH 95% Max.
Lens	DC Auto Iris Varifocal Lens(2.8mm-12mm)
Dimension	140mm(W) * 111mm(H) * 140mm(D)
Weight	1400g

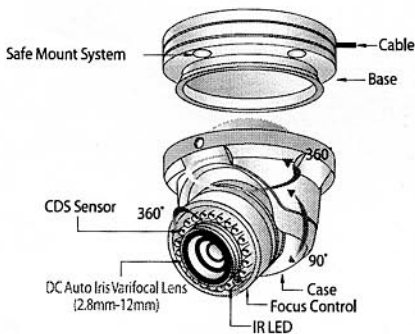
General Features

- * UP-Most High Resolution : Color - 550TV Lines / B/W - 600 TV Lines
- * Max. Sens-Up ($\times 258$), 0.00006 Lux of Min. Illumination
- * $\times 32$ Digital Zoom
- * Free Area Selectable Function of BLC and MD
- * Privacy Color Masking for 8 Area Selection
- * Max 70% of Disk Saving Effect with Super DNR
- * Negative Image Function
- * Camera OSD Control by RS-485(Optional)

Dimensions



HOW To Install



Camera Adjustment

- ① Connect Video & Power Line (Dual Power DC 12V/AC 24V).
- ② Please set the position where you want to connect the camera.
- ③ Loosen the locking screws and adjust camera angle.
- ④ Combine each camera part and lock & tight the each locking screw.