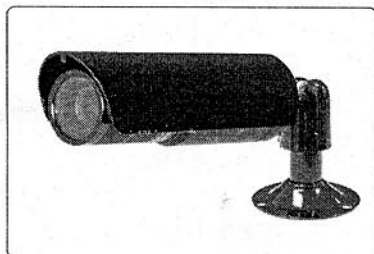


CCTV BULLET CAMERA

Features

- 1/3" SONY Color CCD
- High Resolution and Sensitivity
- Day & Night Function (option)
- 4~9mm Manual Varifocal Lens
- Mounting Bracket Included



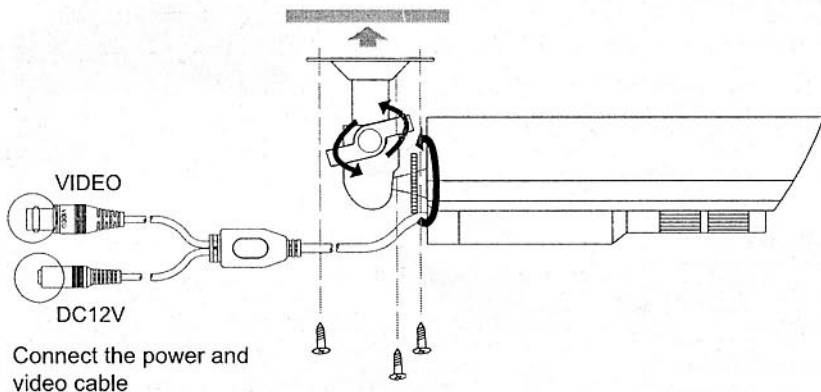
Specification

Item	High Resolution	Normal Resolution
Lens	4~9 mm Manual Varifocal Lens	
Image Pick-up Device	SONY 1/3 inch Super HAD CCD	
Picture elements	811(H) x 508(V) 410K pixels (NTSC) 795(H) x 596(V) 470K pixels (PAL)	537(H) x 505(V) 270K pixels (NTSC) 537(H) x 599(V) 320K pixels (PAL)
Effective picture Elements	768(H) x 494(V) 380K pixels (NTSC) 752(H) x 582(V) 440K pixels (PAL)	510(H) x 492(V) 250K pixels (NTSC) 500(H) x 582(V) 290K pixels (PAL)
Scanning area	3.65(H) x 2.74(V) mm (NTSC) 4.90(H) x 3.67(V) mm (PAL)	
Scanning System	2:1 Interlace (NTSC Standard) 525 Lines / 60 Fields / 30 Frames 2:1 Interlace (PAL Standard) 625 Lines / 50 Fields / 25 Frames	
Resolution	560 TV Lines	420 TV Lines
Minimum Illumination	0.4 Lux at F1.2 (Color) 0.03 Lux at F1.2 (B/W for Day&Night Function)	0.3 Lux at F1.2 (Color) 0.03 Lux at F1.2 (B/W for Day&Night Function)
SYNC. System	Internal Only	
Video Output	1.0 Vp-p NTSC Comp 1.0 Vp-p PAL Comp	
Electronic IRIS	1/60 ~ 1/120,000 sec (NTSC) 1/50 ~ 1/120,000 sec (PAL)	
Backlight Compensation	Built-in	
IRIS Mode	ESC	
AGC	Built-in	
White Balance	ATW / AWC	
Gamma	$\gamma=0.45$	
S/N Ratio	48dB (AGC OFF)	
Dimension	30(W) x 30(H) x 100(L) mm	
Operating Temp.	-10°C ~ +50°C	
Power Source	DC12V / 300mA	
Power Consumption	100mA	

★ Above specifications may be changed without any notice.

CCTV BULLET CAMERA

INSTALLATION



PAN / TILT CONTROL

