

LONG RANGE VANDAL-RESISTANT DOME CAMERA



560 DAY TV LINE **580** NIGHT TV LINE

0.3 DAY LUX **0.002** NIGHT LUX

EASY CAMERA INSTALLATION



READY FOR ROUGH WEATHER

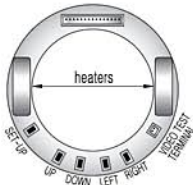
OSD
ON SCREEN DISPLAY

DNR
DIGITAL NOISE REDUCTION

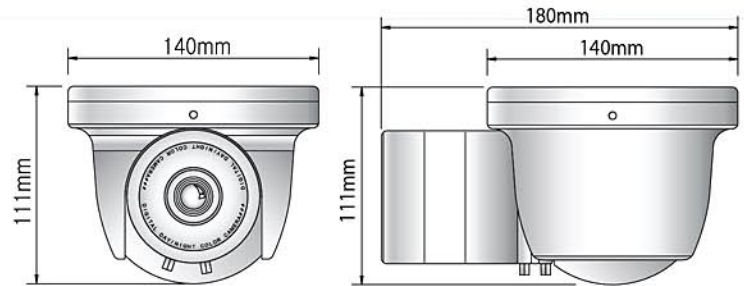
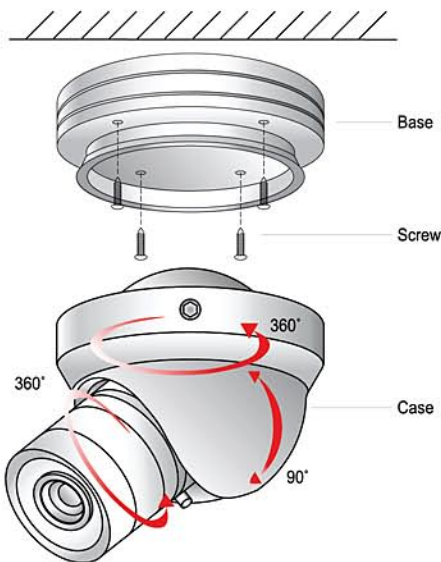
SENS-UP
COLOR IMAGE AT NIGHT
LOW LIGHT ENHANCEMENT

DUAL POWER

DV 574VZ 560 TVL / 0.002 Lux (Sens-up) / OSD Camera Control / 5-50mm AVF / External Lens Control / Day & Night / DC 12V AC 24V Dual Power



OSD CONTROL BOARD



	DV 574VZ
Image Pick-Up Device	1/3" SONY SUPER HAD CCD
TV System	NTSC,PAL
Total Pixels	NTSC=811(H) * 508(V) / PAL=795(H) * 596(V)
Effective Pixels	NTSC=768(H) * 494(V) / PAL=752(H) * 582(V)
Scanning Frequency	NTSC=15.734KHz(H) / 59.94Hz(V) / PAL=15.625KHz(H) / 50.00Hz(V)
Scanning System	2:1 Interlace
Synchronization	Internal
Resolution	560TV Lines
Minimum Illumination	0.002 Lux (Sens-up *128x)
S/N Ratio	More than 50dB
White Balance	ATW / AWBC / MANUAL (1800°K ~ 10,500°K)
Gamma Characteristic	r=0.45
Video Output	CVBS : 1.0Vp-p 75ohm
Electronic Shutter Speed	NTSC=Auto/Manual (1/60sec~1/120,000sec) PAL=Auto/Manual (1/50sec~1/120,000sec)
OSD	Built-in
BLC	Low,Middle,High,Off Selectable
AGC	Low,Middle,High,Off Selectable
DNR	Low,Middle,High,Off Selectable
Day & Night (Color)	On/Auto Selectable (Electrical)
Sharpness	On/Off (Level Adjustable)
Privacy	On/Off (4 Programmable Zone)
Power Supply	AC 24V / DC 12V Dual Power
Power Consumption	120mA Max
Lens	DC Auto Iris Varifocal Lens(5mm-50mm)
Operational Temp.	-10 ~ +50 Deg C. RH 95% Max.
Storage Temp.	-20 ~ +60 Deg C. RH 95% Max.
Dimension	180mm(W) * 111mm(H) * 140mm(D)
Weight	1700g